

DT200-CS

Q370
H310

8th/9th Gen Intel® Core™
AI-Enabled Embedded System



KEY FEATURES



Multiple Displays

4 DP (from MXM), 1 HDMI (auto-detection)



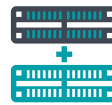
Low Profile Design

Dimensions(W x H x D): 320 x 220 x 87mm (2U)



AI Accelerated

Up to 115W GPU MXM module supported



Scalability

3 M.2 expansion slots

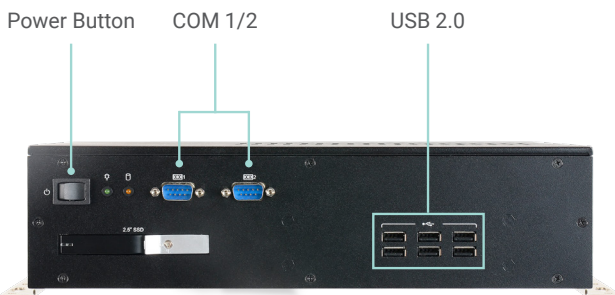


Support 5G Communication

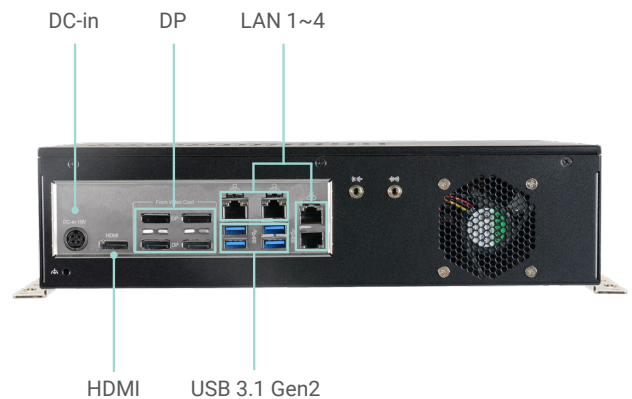
Support M.2 B key 3052 5G cellular module



PANEL

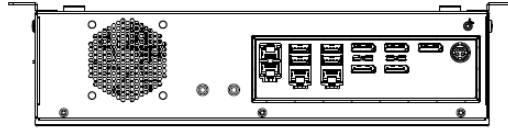


Front View

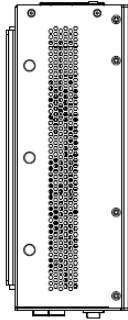


Rear View

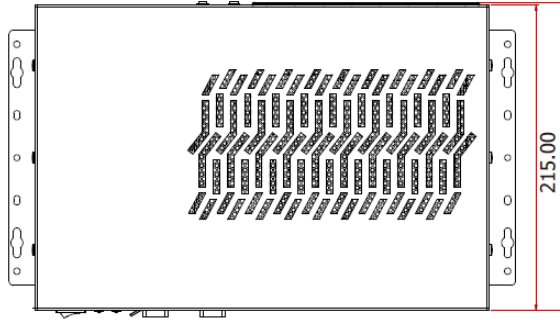
DIMENSIONS



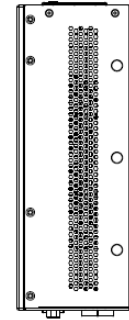
Front View



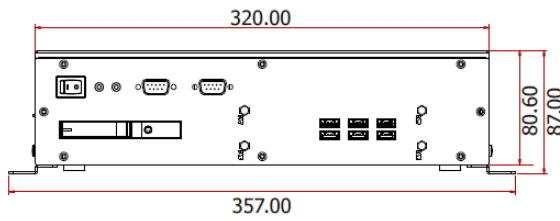
Left View



215.00
217.06

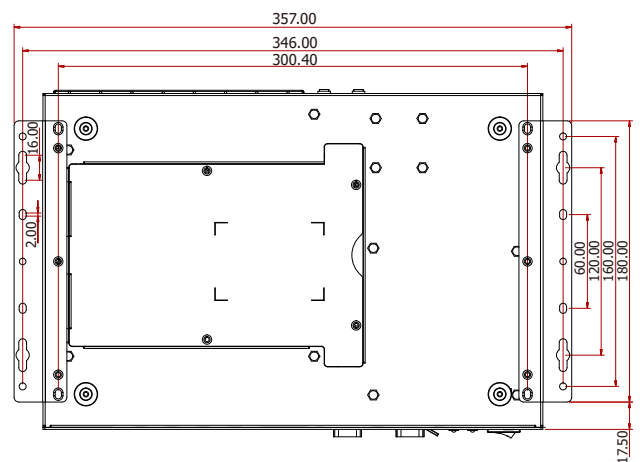
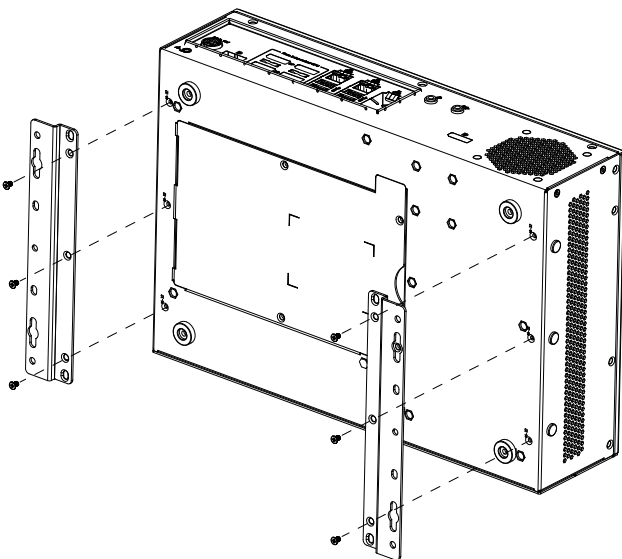


Right View



Rear View

WALL MOUNTING



SPECIFICATION

SYSTEM	Processor	Intel® Core i7-9700E Processor (Core 8; Max speed 4.4 GHz; TDP 65W) Intel® Core i7-9700TE Processor (Core 8; Max speed 3.8 GHz; TDP 35W) Intel® Core i5-9500E Processor (Core 6; Max speed 4.2 GHz; TDP 65W) Intel® Core i5-9500TE Processor (Core 6; Max speed 3.6 GHz; TDP 35W) Intel® Core i3-9100E Processor (Core 4; Max speed 3.7 GHz; TDP 65W) Intel® Core i3-9100TE Processor (Core 4; Max speed 3.2 GHz; TDP 35W) 8th Generation Intel® Core™ Processors, LGA 1151 Socket, TDP up to 65W Intel® Core™ i7-8700 Processor (Core 6; Max speed 4.6 GHz; TDP 65W) Intel® Core™ i7-8700T Processor (Core 6; Max speed 4.0 GHz; TDP 35W) Intel® Core™ i5-8500 Processor (Core 6; Max speed 4.1 GHz; TDP 65W) Intel® Core™ i5-8500T Processor (Core 6; Max speed 3.5 GHz; TDP 35W) Intel® Core™ i3-8100 Processor (Core 4; Max speed 3.6 GHz; TDP 65W) Intel® Core™ i3-8100T Processor (Core 4; Max speed 3.1 GHz; TDP 35W) Intel® Pentium® G5400 Processor (Core 2; Max speed 3.7 GHz; TDP 58W) Intel® Celeron® G4900 Processor (Core 2; Max speed 3.1 GHz; TDP 54W)
	Chipset	Intel® H310/Q370 Chipset
	Memory	DDR4 2400/2666MHz up to 64GB
	BIOS	AMI SPI 128Mbit (supports UEFI/Legacy mode)
	GRAPHICS	Controller
Feature		OpenGL 4.5, DirectX 12, OpenCL 2.1 HW Decode: AVC/H.264, MPEG2, VC1/WMV9, JPEG/MJPEG, HEVC/H265, VP8, VP9 HW Encode: AVC/H.264, MPEG2, JPEG, HEVC/H265, VP8, VP9
Display		4 x DP (from MXM) 1 x HDMI (auto-detection) DP: resolution up to 4096x2304@60Hz HDMI: resolution up to 4096x2160@30Hz
AI ACCELERATOR	Interface	1 x MXM 3.1 slot, Type-A/B up to 110W
STORAGE	Internal	1 x M.2 M key supports 2242/2280 slot (PCIe Gen3 x4/SATA)
	External	1 x SATA III connector with 1 x 2.5" SSD tray (if selecting I.O expansion with 6 USB 2.0, there is only 1 x SSD tray)
EXPANSION	Interface	1 x M.2 M key supports 2242/2280 slot (PCIe Gen3 x4/SATA) 1 x M.2 B key supports 3052 slot (PCIe x1/USB3.1 Gen1) 1 x M.2 E key supports 2230 slot (PCIe x1/USB2.0)
AUDIO	Audio Codec	5.1 CH Audio Codec:Realtek ALC888S-VD2-GR
ETHERNET	Controller	1 x Intel® I219LM for Q370 / I219V for H310 3 x Intel® I210AT
LED	Indicators	1 x PWD LED 1 x HDD LED
FRONT I/O	Serial	2 x RS232
	USB	6 x USB2.0
	Buttons	1 x Power button
	Audio	1 x Line-out 1 x Mic-in
REAR I/O	Ethernet	4 x GbE
	USB	4 x USB 3.1 Gen2
	Display	4 x DP (from MXM) 1 x HDMI (auto-detection)
	Antenna Holes	4 x SMA for 5G module 2 x SMA for WiFi module
COOLING	Fan	1x CPU cooler, 1x system fan (MXM cooler is not included)
WATCHDOG TIMER	Output & Interval	Watchdog timeout programmable via software from 1 to 255 seconds
SECURITY	TPM	dTPM2.0 (default)
POWER	Voltage	19V DC-in
	Connector	DC-in Jack
OS SUPPORT	Microsoft	Windows 10 IoT Enterprise 64-bit
	Linux	Linux
ENVIRONMENT	Operating Temperature	0 to 55°C
	Storage Temperature	-40 to 85°C
	Relative Humidity	5 to 95% RH (non-condensing)uminum extrusion + Metal
MECHANICAL	Construction	Aluminum + SGCC
	Mounting	Wall mount (mounting brackets and screws)
	Dimensions (W x H x D)	320 x 220 x 87mm (not include wall mount bracket)
	Weight	5 Kg
STANDARDS AND CERTIFICATIONS	Certifications	CE, FCC Class A, RoHS

ORDERING INFORMATION

Model Name	Part Number	Description
DT200-CSH310	750-DT2000-000G	MB CS181-H310 with 4 DP, 1HDMI , 10 USB, 4 LAN, 2 COM, 6 SMA, 1 Line-out, 1 Mic-in, and MXM slot DC-in 19V
DT200-CSQ370	750-DT2000-100G	MB CS181-Q370 with 4 DP, 1HDMI , 10 USB, 4 LAN, 2 COM, 6 SMA, 1 Line-out, 1 Mic-in, and MXM slot DC-in 19V

OPTIONAL ITEMS

Optional Items	Part Number	Description
CPU cooler	A71-103004-000G	For 35W CPU at height: 37.3mm
	A71-103005-000G	For 65W CPU at height: 45.3mm
MXM Quadro T1000	612-M3T100-100G	50W, 896 CUDA Cores, 2.6 TFLOPS, 0~55°C
MXM Quadro RTX3000	612-M3T300-000G	80W, 1290 CUDA Cores, 5.4 TFLOPS, 0~55°C
Fan Power Y-cable for MXM RTX3000	A81-009614-016G	1*3P/2.5mm to 1*3P/2.54mm to 1*4P/1.25mm, L=50mm
MXM Cooler	A71-110100-000G	MXM cooler for RTX3000 87x106.35x34mm
	TBD	MXM cooler for T1000 73x60x32.1mm

PACKING LIST

• 1 DT200-CS system unit
• 3 M.2 slot screws
• 2 MXM Module screws
• Thermal grease(X-23-7783D) injector 1g